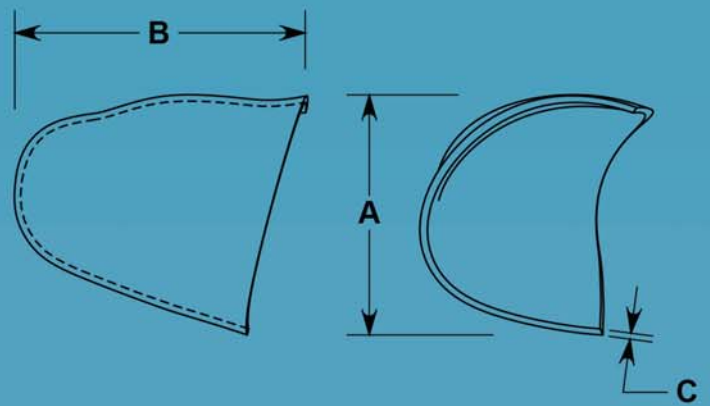
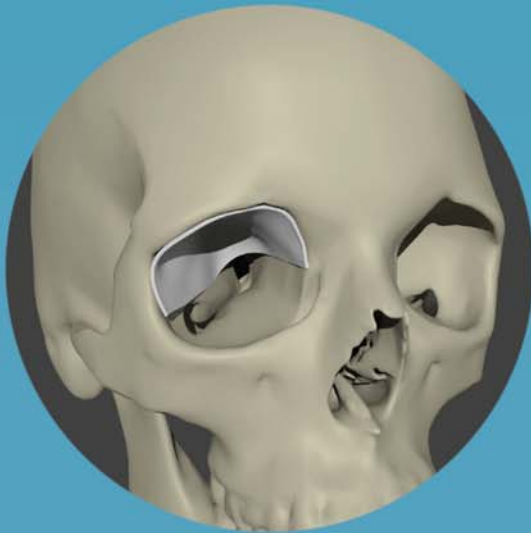


- Reconstructs the superior and lateral surfaces of the orbital roof following an orbito zygomatic craniotomy
- Provides alternatives to customized implants, grafts, and other implant materials
- Screws or sutures can be placed in any desired location
- Fully porous material for tissue ingrowth
- Easy to trim with scissors or scalpel
- Individually packaged, MR Safe, Sterile, 5 Year Shelf Life



CAT#	Description	A	B	C
4072	Left	33mm	38mm	0.8mm
4073	Right	33mm	38mm	0.8mm

